

Main Features:-

- ◆ Uni-Directional Knife Gate Valve
- ◆ Actuated With A Double Acting Cylinder
- ◆ Wafer Threaded, PN10
- ◆ On/Off or Regulation
- ◆ Direction Indicated By Arrows On The Body

*Temperature and pressure determined by valve body, seat etc.

Suitable Applications & Approvals:



WASTE



INDUSTRY



CERTIFIED



SERIES: 43007

MANUFACTURER: **Tecofi**
VALVE DESIGNER - FRANCE

VALVE DIMENSIONS

DN	SIZE	A	B	C	D	ØF	ØP	H	ØK	n	ØM	Kg
50	2"	40	240	124	83	1/4"	80	412	125	4	4xM16	7.5
65	2 1/2"	40	265	139	83	1/4"	80	458	145	4	4xM16	7.8
80	3"	50	290	154	83	1/4"	80	502	160	8	4xM16	8.4
100	4"	50	335	174	83	1/4"	100	562	180	8	4xM16	12.5
125	5"	50	373	189	93	1/4"	125	642	210	8	4xM16	16.4
150	6"	60	424	220	93	1/4"	125	718	240	8	4xM20	20.5
200	8"	60	533	275	108	1/4"	160	882	295	8	4xM20	35.8
250	10"	70	625	326	108	1/4"	200	1044	350	12	8xM20	52
300	12"	70	732	380	108	1/4"	200	1164	400	12	8xM20	72
350	14"	96	835	438	290	3/8"	250	1362	460	16	10xM20	129
400	16"	100	945	494	290	3/8"	250	1542	515	16	10xM24	144
450	18"	106	1040	547	290	3/8"	250	1677	565	20	14xM24	177
500	20"	110	1150	613	290	1/2"	320	1815	620	20	14xM24	268
600	24"	110	1354	716	290	1/2"	320	2130	725	20	14xM27	351
700	28"	110	1540	835	320	1/2"	426	2488	840	24	16xM27	556
800	32"	110	1750	972	320	1/2"	426	2798	950	24	16xM30	679
900	36"	110	1990	1041	320	1/2"	538	3162	1050	28	20xM30	840
1000	40"	110	2195	1152	320	1/2"	538	3452	1160	28	20xM33	1053
1200	48"	150	2390	1255	400	1/2"	538	4048	1380	32	22xM36	-

TECOFI

The company is based in Lyon for 30 years. French manufacturer of industrial valves, that carry out the design, manufacture and marketing of a complete range of valves for all types of industries. Tecofi are one of the major players in the field of water, climate engineering, paper, chemical, steel and energy industry.

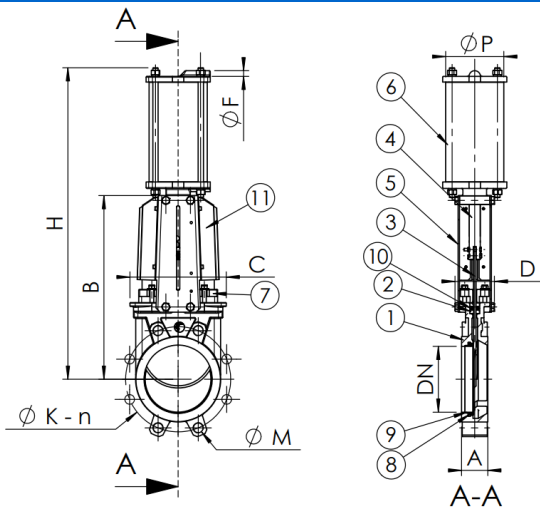
T +44 (0)1386 552369

W www.allvalves.co.uk

E sales@allvalves.co.uk

F +44 (0)1386 554227

DIMENSIONAL DRAWING



No	Description	Material
1	Body	EN-GJL-250
2	Packing	PTFE
3	Gate	SS X5CrNi 18-10
4	Stem	SS 13%Cr
5	Support Plate	Steel + Epoxy
6	Pneumatic Actuator	Aluminium
7	Packing Gland	Ductile Iron
8	Gasket	Nitrile
9	Support Ring	SS 316
10	O'Ring	Nitrile
11	Protection Plate	SS 304

Material	Max Working Temperature	DN	Max Working Pressure
Metal/Metal	-10°C / +80°C	DN50-250	10 Bar
White NBR	-10°C / +80°C	DN300-450	7 Bar
EPDM	-10°C / +130°C	DN500-600	4 Bar
Silicone	-10°C / +170°C	DN700-1200	2 Bar
FPM (Viton)	-10°C / +170°C		
PTFE	+4°C / +170°C		
CSM (Hypalon)	+4°C / +80°C		

APPLICATION:

The Tecofi knife gate valve can typically be used for the following applications;

- Pulp and Paper
- Water
- Water Treatment
- Biogas
- Chemical
- Powder
- Slurry and Waste
- Mining

ALL VALVES ONLINE

Offering a full range of actuated valve packages, manual valve range, pipe fittings and pumps, we have a product for all your requirements. As an ISO 9001-2015 Quality Approved and certified company, All Valves offer a quality service from pre-sale to post sale. Shipping millions of pounds in value of manual valve and actuated valve packages all over the world since its formation, All Valves are a trusted valve and actuator supplier to many companies all over the world. Working with the leading brands in most industries.